



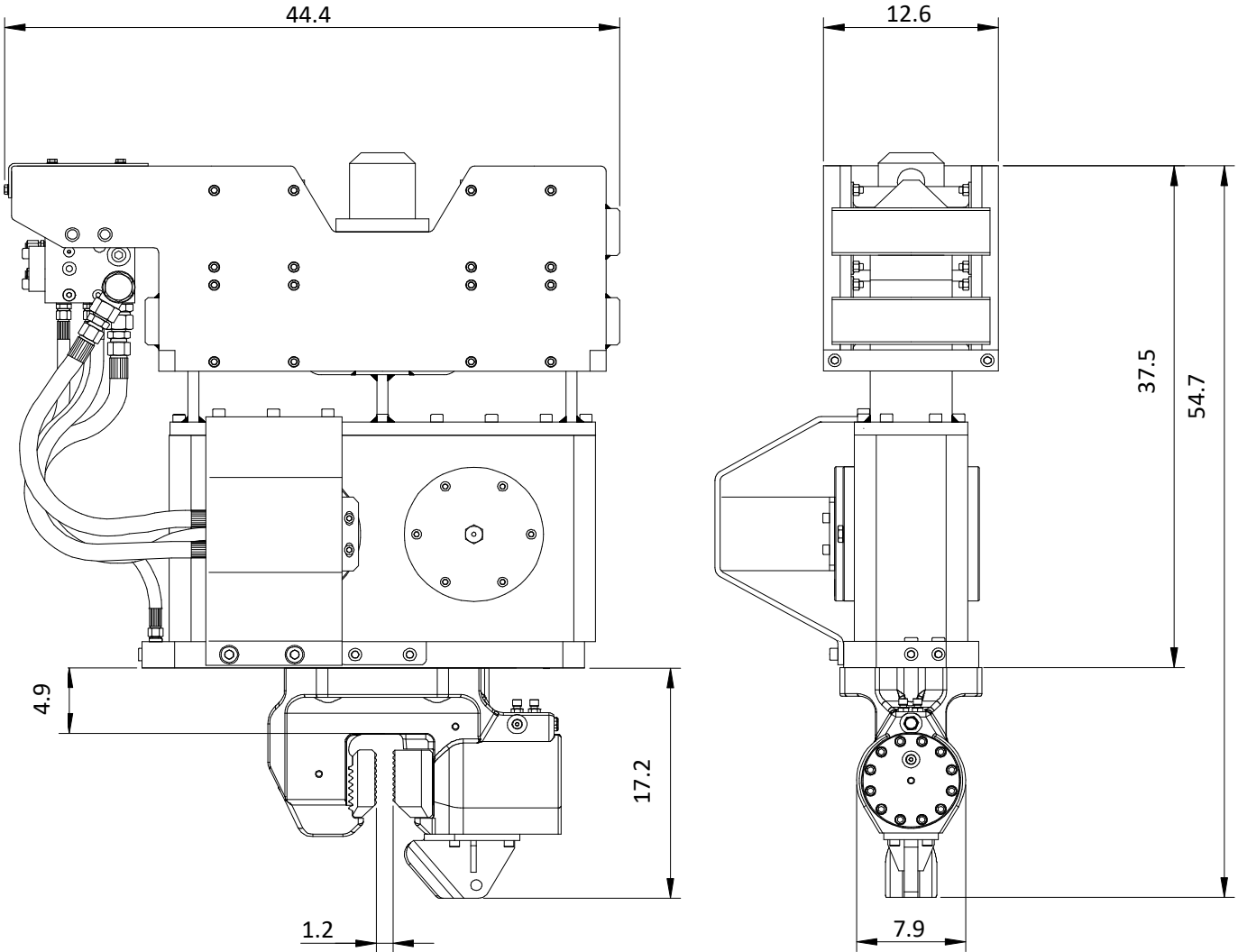
# Specifications

## PVE 2803

### Vibro Hammer

USA

Dimensions in inches



### Specifications

### PVE 2803

Eccentric moment	278 in-lbs	<b>Clamps:</b>	
Max. centrifugal force	31 ton	Sheet pile clamp	40TU
Max. frequency	2,800 rpm	Transport weight per piece	364 lbs
Max. amplitude excluding 40TU	0.44 in	Double clamps	N/A
Max. amplitude including 40TU	0.34 in	Transport weight per piece	N/A lbs
Max. static line-pull	12 ton		
Max. operating pressure	5,076 psi	<b>Powerpack:</b>	
Max. oil flow	30 gal/min	Model	N/A
Forced lubrication	no		
Dynamic weight excluding 40TU	1,268 lbs	<b>Hose set:</b>	
Dynamic weight including 40TU	1,631 lbs	Length	N/A ft
Total weight excluding 40TU & hoses	2,403 lbs	Transport weight (±)	N/A lbs