



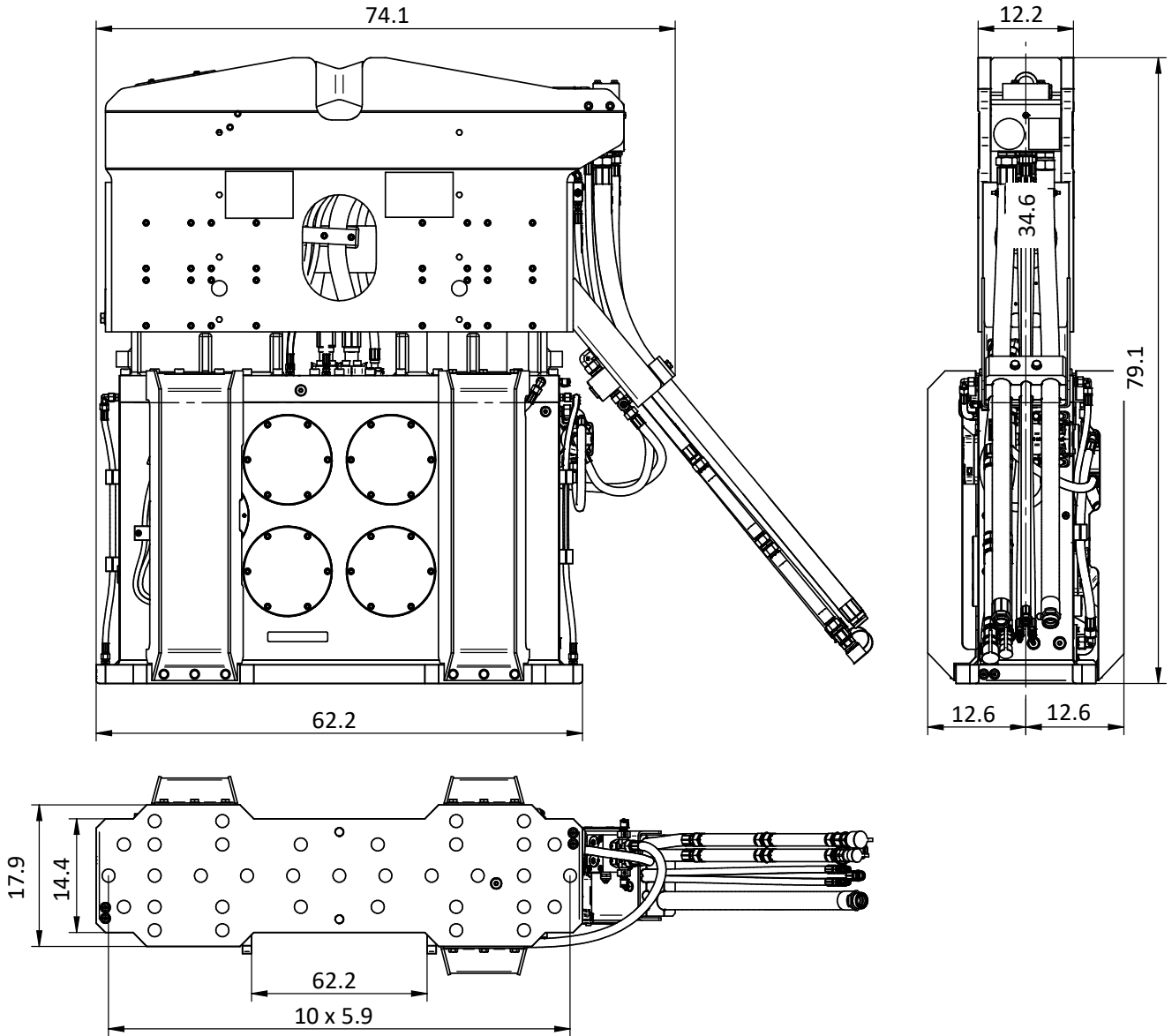
Specifications

PVE 16VM

Vibro Hammer

Dimensions in inches

USA



Specifications

PVE 16VM

Eccentric moment	0-1,389 in-lbs	Clamps:	
Max. centrifugal force	0-104 ton	Sheet pile clamp	130TU
Max. frequency	2,300 rpm	Transport weight per piece	1,345 lbs
Max. amplitude excluding 130TU	0.51 in	Double clamps	81TC
Max. amplitude including 130TU	0.41 in	Transport weight per piece	1,058 lbs
Max. static line-pull	24 ton		
Max. operating pressure	5,076 psi	Powerpack:	
Max. oil flow	99 gal/min	Model	400 series
Forced lubrication	yes		
Dynamic weight excluding 130TU	5,423 lbs	Hose set:	
Dynamic weight including 130TU	6,768 lbs	Length	98 ft
Total weight excluding 130TU & hoses	7,848 lbs	Transport weight (±)	1,356 lbs