



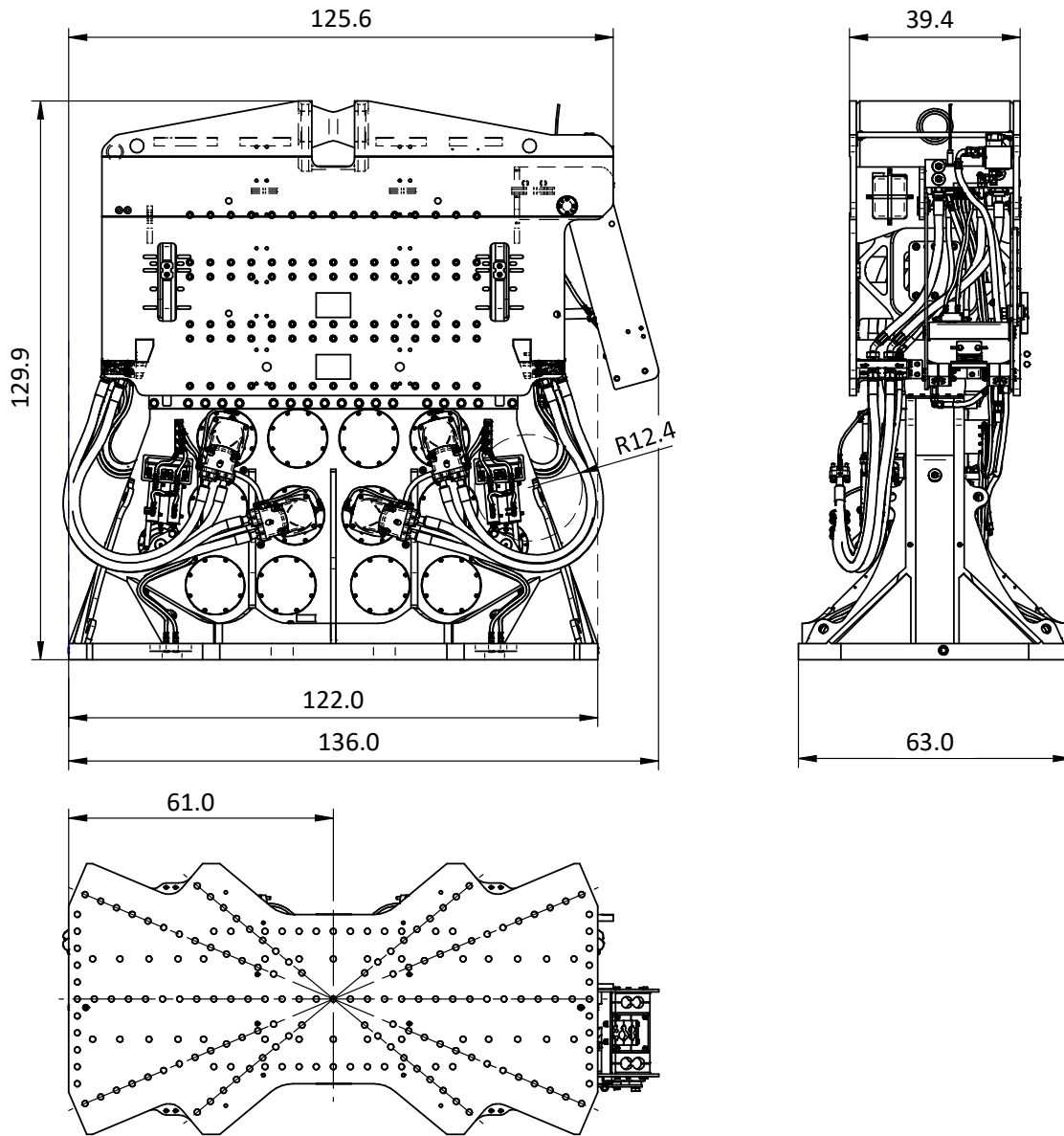
Specifications

PVE 90VM

Vibro Hammer

USA

Dimensions in inches



Specifications

PVE 90VM

Eccentric moment	0-7,813 in-lbs	Clamps:	
Max. centrifugal force	0-503 ton	Sheet pile clamp	150TC
Max. frequency	2,130 rpm	Transport weight per piece	3,527 lbs
Max. amplitude excluding 4x150TC	0.52 in	Double clamps	350TC
Max. amplitude including 4x150TC	0.36 in	Transport weight per piece	7,937 lbs
Max. static line-pull	153 ton		
Max. operating pressure	5,076 psi	Powerpack:	
Max. oil flow	545 gal/min	Model	1000P (2x)
Forced lubrication	yes		
Dynamic weight excluding 4x150TC	29,762 lbs	Hose set:	
Dynamic weight including 4x150TC	43,872 lbs	Length	197 ft
Total weight excluding 4x150TC & hoses	40,786 lbs	Transport weight (±)	5,798 lbs