



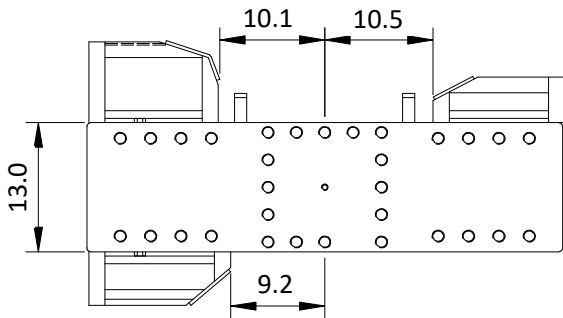
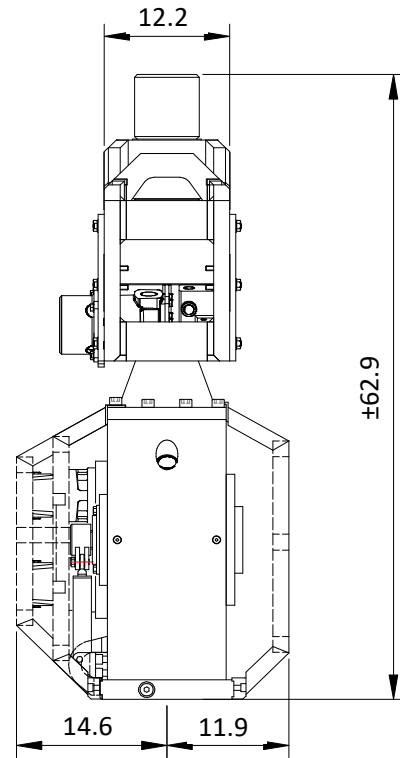
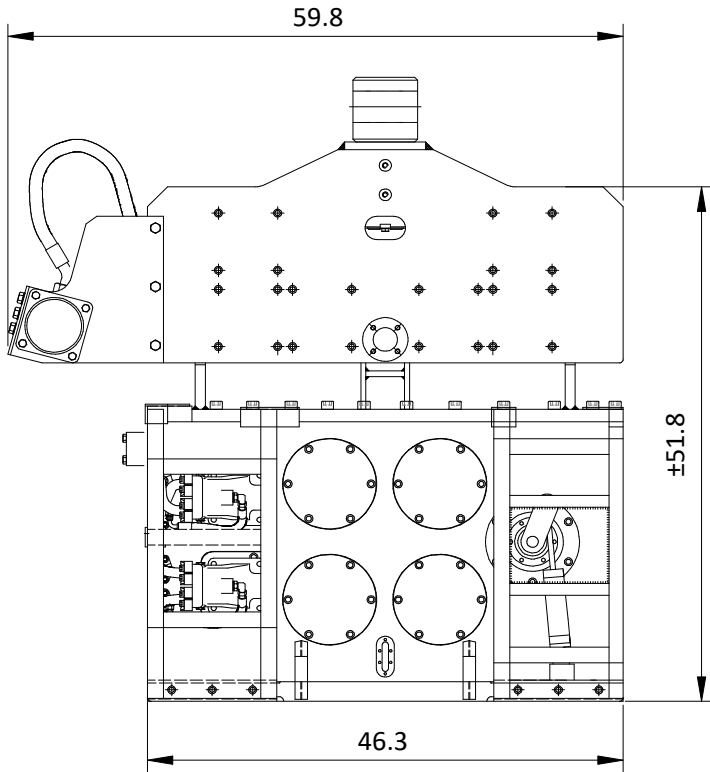
# Specifications

## PVE 12VMA

### Vibro Hammer

USA

Dimensions in inches



### Specifications

### PVE 12VMA

Eccentric moment	0-1,042 in-lbs	<b>Clamps:</b>	
Max. centrifugal force	0-79 ton	Sheet pile clamp	100TU
Max. frequency	2,300 rpm	Transport weight per piece	1,080 lbs
Max. amplitude excluding 100TU	0.65 in	Double clamps	55TC
Max. amplitude including 100TU	0.49 in	Transport weight per piece	683 lbs
Max. static line-pull	20 ton		
Max. operating pressure	5,076 psi	<b>Powerpack:</b>	
Max. oil flow	69 gal/min	Model	N/A
Forced lubrication	yes		
Dynamic weight excluding 100TU	3,197 lbs	<b>Hose set:</b>	
Dynamic weight including 100TU	4,277 lbs	Length	N/A ft
Total weight excluding 100TU & hoses	4,905 lbs	Transport weight (±)	N/A lbs