



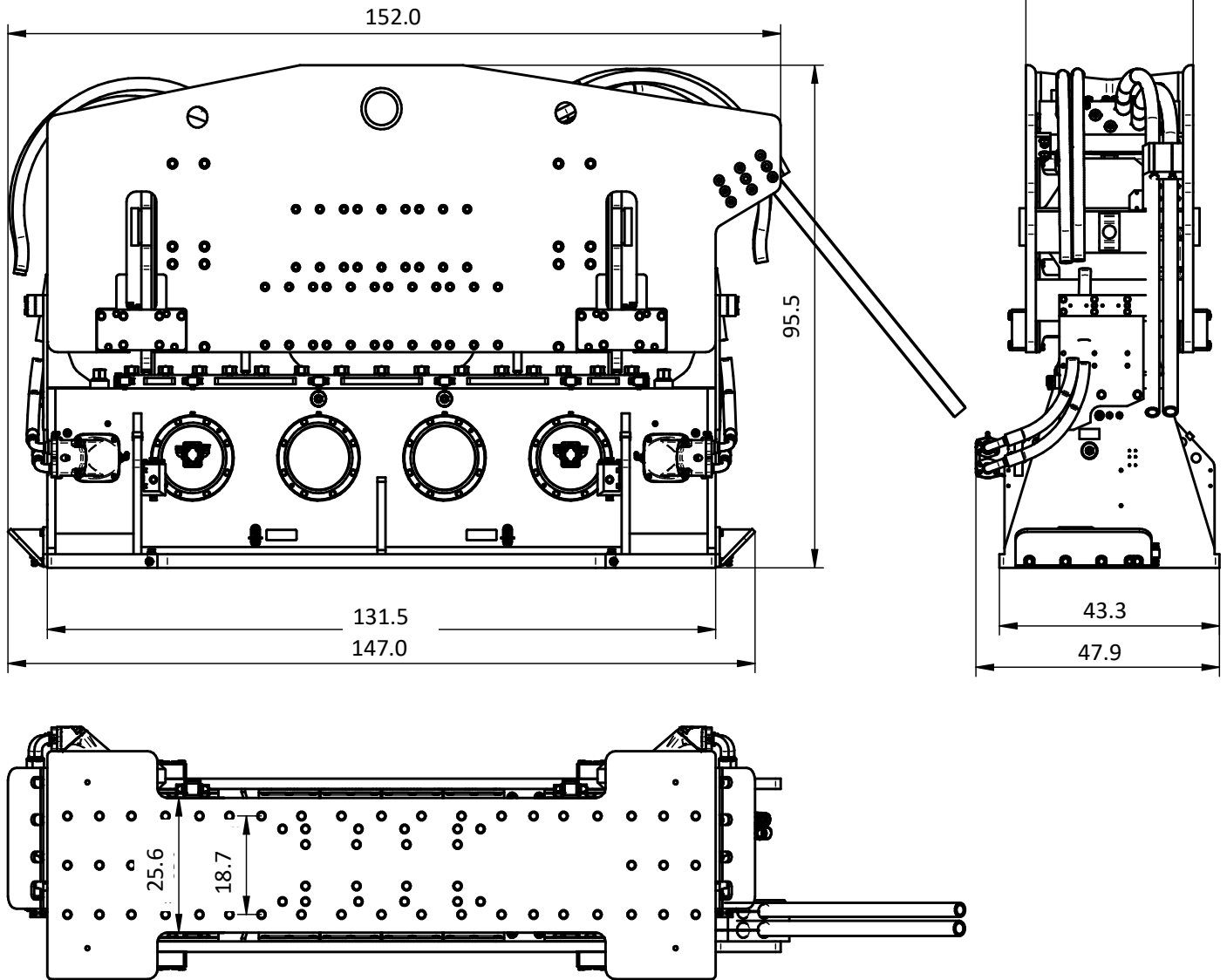
Specifications

PVE 150M

Vibro Hammer

USA

Dimensions in inches



Specifications

PVE 150M

Eccentric moment	13,021 in-lbs	Clamps:	
Max. centrifugal force	362 ton	Double clamps	200TC
Max. frequency	1,400 rpm	Transport weight per piece	2,976 lbs
Max. amplitude excluding 200TC (2x)	1.04 in		
Max. amplitude including 200TC (2x)	0.84 in		
Max. static line-pull	128 ton		
Max. operating pressure	5,076 psi	Powerpack:	
Max. oil flow	342 gal/min	Model	1400 series
Forced lubrication	yes		
Dynamic weight excluding 200TC (2x)	25,133 lbs	Hose set:	
Dynamic weight including 200TC (2x)	31,085 lbs	Length	197 ft
Total weight excluding 200TC (2x) & hoses	39,198 lbs	Transport weight (±)	3,616 lbs