



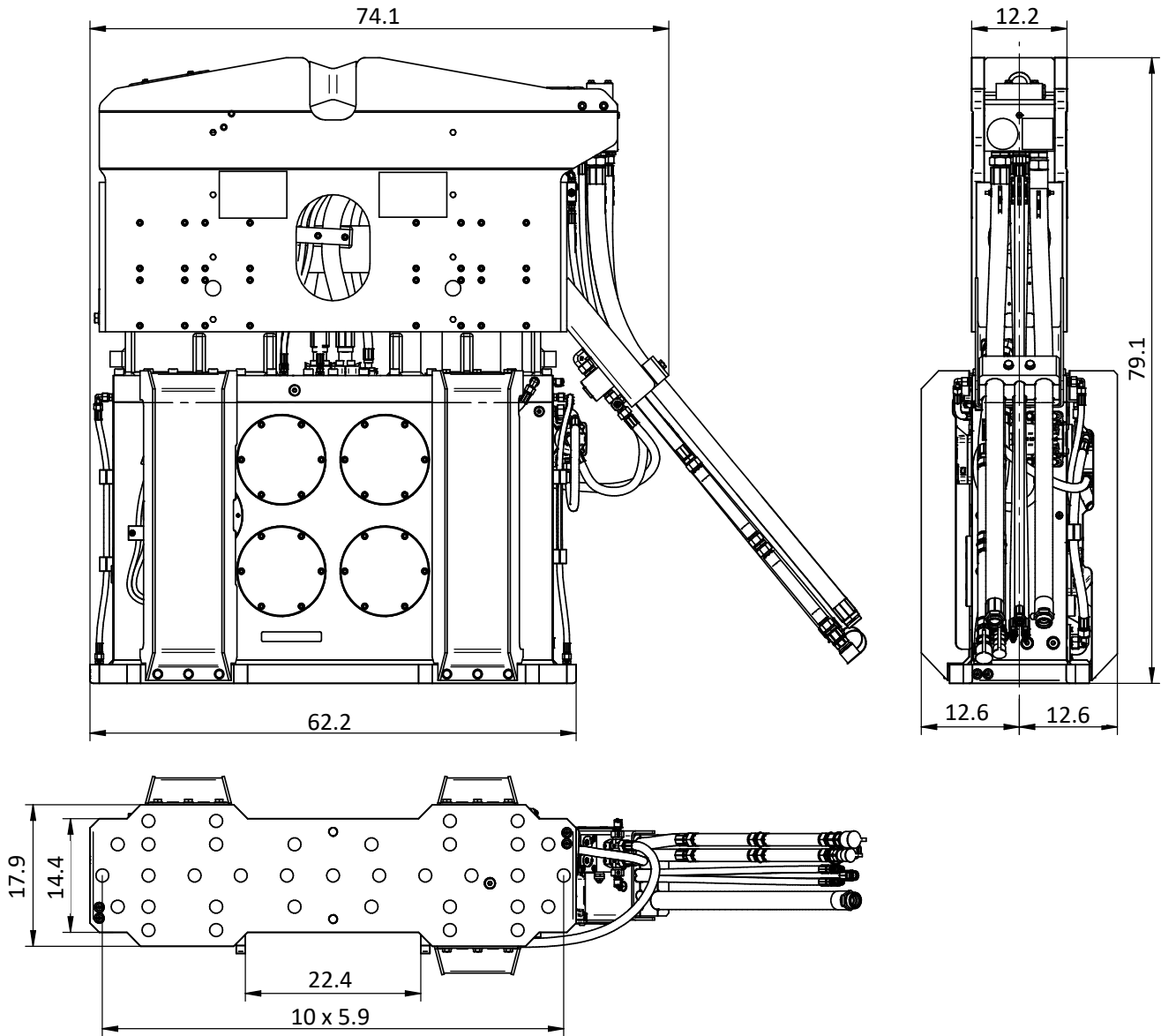
Specifications

PVE 20VM

Vibro Hammer

USA

Dimensions in inches



Specifications

PVE 20VM

Eccentric moment	0-1,649 in-lbs	Clamps:	
Max. centrifugal force	0-124 ton	Sheet pile clamp	130TU
Max. frequency	2,300 rpm	Transport weight per piece	1,345 lbs
Max. amplitude excluding 150TU-L	0.59 in	Double clamps	81TC
Max. amplitude including 150TU-L	0.47 in	Transport weight per piece	1,058 lbs
Max. static line-pull	24 ton		
Max. operating pressure	5,076 psi	Powerpack:	
Max. oil flow	132 gal/min	Model	500 series
Forced lubrication	yes		
Dynamic weight excluding 150TU-L	5,622 lbs	Hose set:	
Dynamic weight including 150TU-L	6,967 lbs	Length	98 ft
Total weight excluding 150TU-L & hoses	8,047 lbs	Transport weight (±)	1,356 lbs